



# Fast, Effective Impact Cleaning

## Toftejorg TZ-750 Rotary Jet Head - Portable

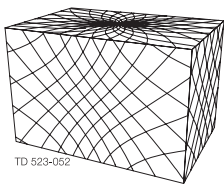
### Application

The Toftejorg TZ-750 rotary jet head provides 3D indexed impact cleaning over a defined time period. It is automatic and represents a guaranteed means of achieving quality assurance in tank cleaning. The device is suitable for storage and transportation tanks and vessels between 3,000 and 7,000 m<sup>3</sup> (792,000 to 1,850,000 US gallons). Used in chemical processing and the pulp and paper industries.

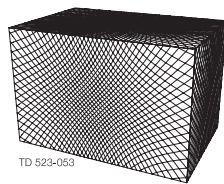
### Working principle

The flow of the cleaning fluid makes the nozzles perform a geared rotation around the vertical and horizontal axes. In the first cycle, the nozzles lay out a coarse pattern on the tank surface. The subsequent cycles gradually make the pattern more dense, until a full pattern is reached after 4 cycles.

### Cleaning Pattern



First cycle



Full pattern

The above drawings show the cleaning pattern achieved on a horizontal vessel. The difference between the first cycle and the full pattern represents the number of additional cycles available to increase the density of the cleaning.

### Standard Design

The choice of nozzle diameters can optimise jet impact length and flow rate at the desired pressure. As standard documentation, the Toftejorg TZ-750 can be supplied with a "Declaration of Conformity" for material specifications.

### Materials

1.4404 (316L), 1.4401, PTFE, PVDF, Carbon.

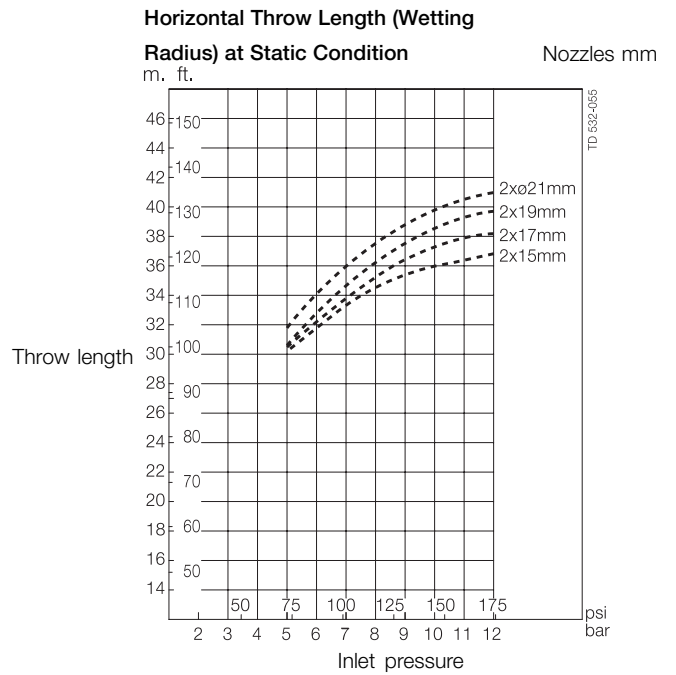
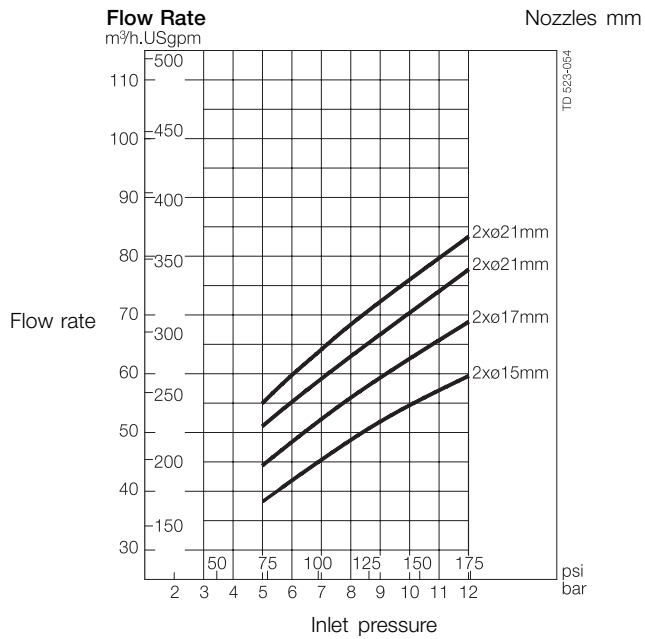


### Technical Data

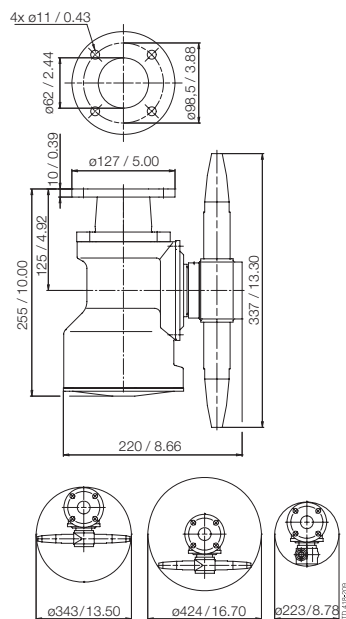
Weight:	Portable 12.1 kg (26.7 lbs), fixed 13,6 kg (30 lbs)
Lubricant:	Self-lubricating with the cleaning fluid
Working pressure:	.5 - 12 bar (72 - 174 psi)
Recommended pressure:	.5 - 10 bar (72 - 145 psi)
Flow rate:	.38 - 83 m <sup>3</sup> /hour
Max. working temperature:	.95 °C (203 °F)
Max. ambient temperature:	.140 °C (284 °F)
Standard thread:	.2½" Rp (BSP), NPT, ASA
Max. throw length:	.30 - 40 m (98 - 131 ft)
Min. required passage:	See dimension drawings

### Certificate:

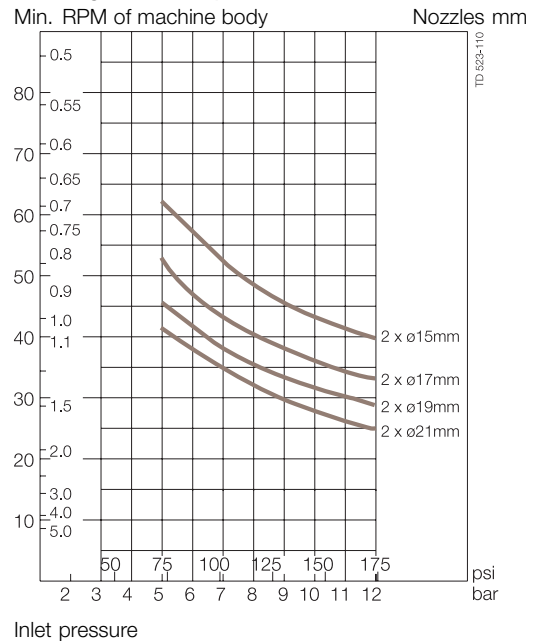
2.1



**Dimensions (mm / inch)**



**Cleaning Time, Complete Pattern**



**Ordering**

Please specify nozzle size, inlet/guide configuration and connections and confirm application suitability.

Sizing/selection and installation drawings are available in Alfa Laval's Selection Tools for Tank Cleaning Equipment.

**Options**

- Downpipe supporting flange

ESE00312EN 0801

The information contained herein is correct at the time of issue,  
but may be subject to change without prior notice.

---

**How to contact Alfa Laval**

Contact details for all countries  
are continually updated on our website.  
Please visit [www.alfalaval.com](http://www.alfalaval.com) to  
access the information direct.