



The Optimum Choice for Ultra-Clean Processes

SX Rotary Lobe Pump

PD 66319 US1 2001-10

Application

The SX range of rotary lobe pumps has been designed for use on wide ranging applications within the Pharmaceutical, Biotechnology, Fine Chemical and Speciality Food industries. Being certified by EHEDG (European Hygienic Equipment Design Group) as fully CIP cleanable to their protocol, the SX range is ideally suited to applications where cleanability and corrosion resistance is paramount. In addition to being EHEDG compliant, the SX pump range also conforms to USA 3A Sanitary Standard and all media contacting components are FDA compliant. The SX pump operates with a high efficiency, low shear pumping action for assured gentle handling of delicate and sensitive media.

The SX range is compact in size, capable of flow rates up to 506 gpm and pressures up to 218 psi.

Standard Design

Pump Gearbox

The SX pump with its conventional lobe pump design concept has a robust cast iron gearbox, which provides maximum shaft rigidity and easy oil seal replacement. The SX range in series 1 - 4 has a universal gearbox design. This gives the flexibility of mounting pumps with the inlet and outlet ports in either a vertical or horizontal plane, by changing the foot position. If EHEDG design and installation compliance and conformity to the Machinery Safety Directive 89/392/EEC (1989) is required, a dedicated vertical port option will be supplied. A quality epoxy paint system is used on the gearbox exterior for optimum protection against natural and corrosive elements.

Pumphead Construction

The SX pump has sanitary design full bore inlet and outlet ports to International Standards, maximizing inlet and outlet port efficiency and NPSH characteristics. Vertical porting and unique rotorcase internal profile enhances self-draining and self-venting while maintaining optimum volumetric efficiency.



SX Rotary Lobe Pump

The SX pump has four lobe rotors, designed using CFD (Computational Fluid Dynamics) to develop the optimum rotor geometry - possibly the first rotary lobe pump to be developed using this technology. All rotors are rated to 302°F facilitating use with CIP/SIP processes.

Maximum Solid Size Capability

Pump Series	Max. Size of Spherical Solids (in.)
SX1	0.28
SX2	0.39
SX3	0.51
SX4	0.63
SX5	0.75
SX6	0.98
SX7	1.10

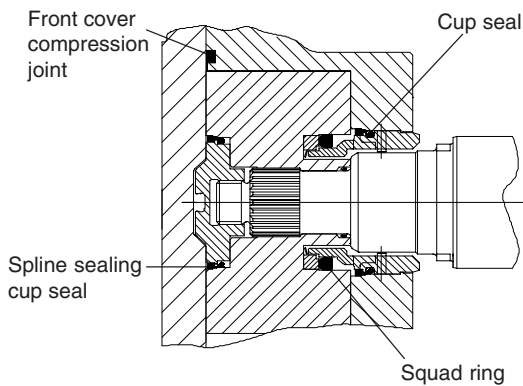
Materials of Construction

Pump gearbox – high quality grey cast iron.

Pumphead – product wetted components in 316L or equivalent stainless steel.

Product wetted elastomers of EPDM, VMQ (silicone), FPM all FDA conforming.

All media contacting elastomers are controlled compression joints, the latest technology where static and dynamic elastomer seals are used to prevent pumped media leaking to atmosphere.



Weight

Model	Bare Shaft Pump (lbs.)	
	Horizontal porting	Vertical porting
SX1/005	33	35
SX1/007	35	37
SX2/013	71	73
SX2/018	73	75
SX3/027	126	130
SX3/035	130	134
SX4/046	236	243
SX4/063	249	256
SX5/082	-	342
SX5/115	-	364
SX6/140	-	613
SX6/190	-	639
SX7/250	-	750
SX7/380	-	798

Shaft Seal Options

- Single or single flush/quench (steam barrier for aseptic application) R00 type mechanical seals.
- Double R00 type mechanical seal for flush.

All sealing options are fully front loading and fully interchangeable without the need for additional housings or pump component changes. Specialized seal setting of the mechanical seal is not required as the seal is dimensionally set on assembly. This feature further enhances fast and efficient on-site seal interchangeability.

Materials for Mechanical Seals

Carbon/Stainless Steel, Silicon Carbide/Silicon Carbide or variations of these materials to suit fluid being pumped and/or application requirements. The seal seat and face material combinations are all EHEDG compliant.

Pump Sizing

In order to correctly size a rotary lobe pump some essential information is required. Provision of this information listed below enables our Customer Support personnel to obtain the optimum pump selection.

Product/Fluid Data

- Fluid to be pumped
- Viscosity
- SG/Density
- Pumping temperature, minimum, normal and maximum
- Cleaning in Place temperature(s), minimum, normal and maximum

Performance Data

- Flow rate, minimum, normal and maximum
- Discharge head/pressure (closest to pump outlet)
- Suction condition

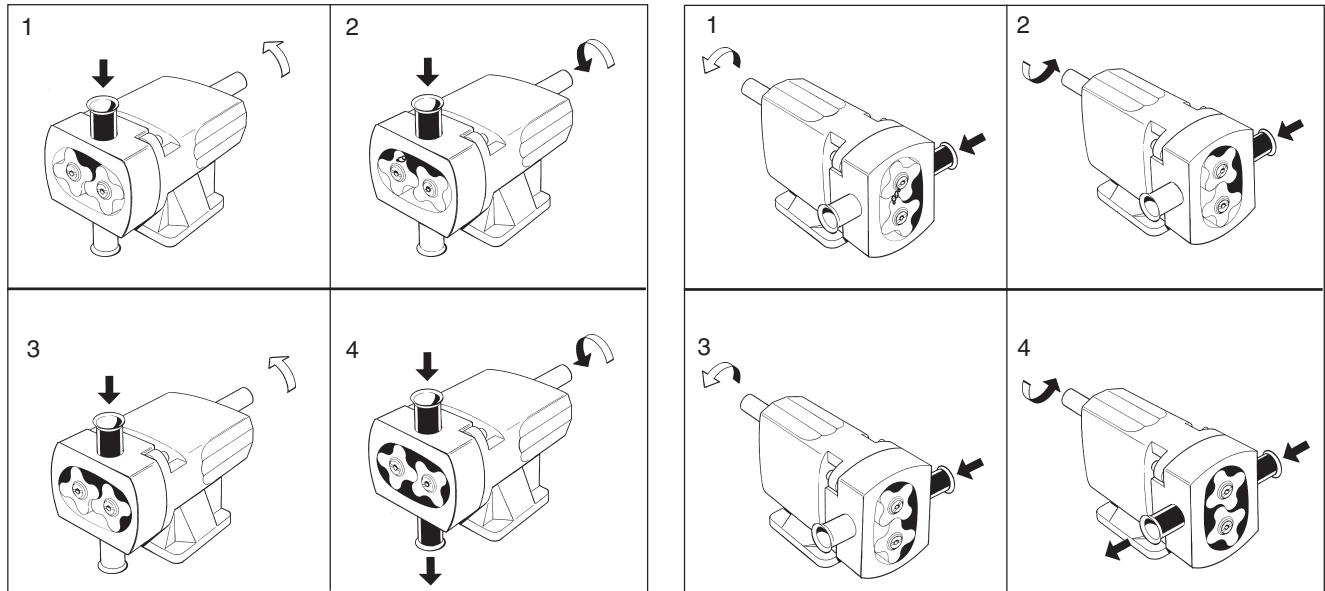
Standard Specification Options

- Tri-clamp inlet and outlet ports standard
- Screwed male inlet and outlet ports to DIN11851, SMS, ISS/IDF or RJT or Tri-clamp.
- Heating/Cooling Jacket for Rotorcase Cover.
- Electropolished product wetted components.
- Complete pump unit comprising: Pump + Stainless Steel Baseplate + coupling with guard + Geared electric motor suitable for (or supplied with) frequency speed control or manual variable speed drive (advise motor enclosure and electrical supply).
- Full material traceability on request to BSEN 10204.

Working Principle

The positive displacement of the SX pump is provided by non-contacting, rotating four lobe rotors within a fully swept pump chamber. All SX pumps are capable of bi-rotational flow without modification.

Fig 1.



Flows/Pressures/Connections

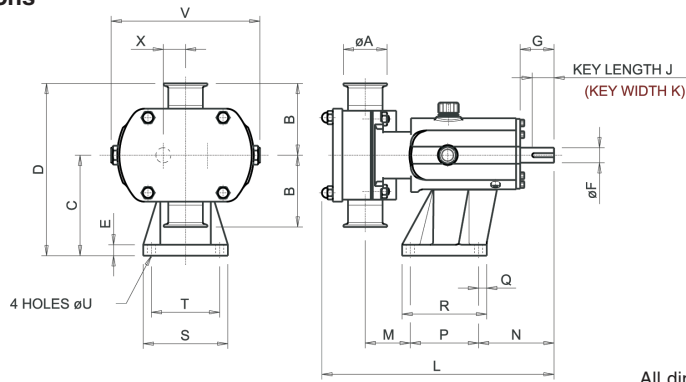
SX Series	Build Selection		SX Model	Displacement			Inlet and Outlet Connection Size		Differential Pressure (see note 1)		Maximum Speed
	Pump head Code	Gearbox		Liters/rev	Imp gal/100 rev	US gal/100 rev	mm	in	bar	psi	
1	005	H or U	SX1/005/H or U	0.05	1.11	1.32	25	1	12	175	1400
	007	H or U	SX1/007/H or U	0.07	1.54	1.85	40	1.5	7	100	1400
2	013	H or U	SX2/013/H or U	0.128	2.82	3.38	40	1.5	15	215	1000
	018	H or U	SX2/018/H or U	0.181	3.98	4.78	50	2	7	100	1000
3	027	H or U	SX3/027/H or U	0.266	5.85	7.03	50	2	15	215	1000
	035	H or U	SX3/035/H or U	0.35	7.70	9.25	65	2.5	7	100	1000
4	046	H or U	SX4/046/H or U	0.46	10.12	12.15	50	2	15	215	1000
	063	H or U	SX4/063/H or U	0.63	13.86	16.65	65	2.5	10	145	1000
5	082	H	SX5/082/H	0.82	18.04	21.67	65	2.5	15	215	600
	115	H	SX5/115/H	1.15	25.30	30.38	80	3	10	145	600
6	140	H	SX6/140/H	1.40	30.80	36.99	80	3	15	215	500
	190	H	SX6/190/H	1.90	41.80	50.20	100	4	10	145	500
7	250	H	SX7/250/H	2.50	55.00	66.05	100	4	15	215	500
	380	H	SX7/380/H	3.80	83.60	100.40	150	6	10	145	500

H - Vertical Port (EHEDG approved)
 U - Universal mounting (non EHEDG approved)

Note 1. These pressure ratings may vary for pumps with certain threaded connections.

Bareshaft Pump Dimensions

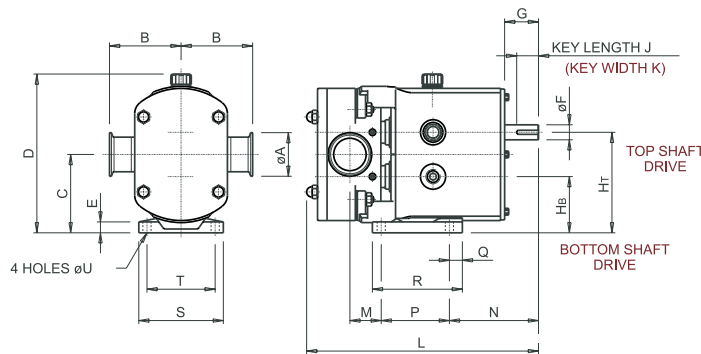
Vertically ported



All dimensions in inches, except where noted

PUMP	A	B	C	D	E	F (mm)	G	J	K (mm)	L	M	N	P	Q	R	S	T	U	V	X
SX1/005	1.00	3.74	4.45	8.19	0.63	16	1.57	1.18	5	10.87	2.13	3.94	3.15	0.87	4.49	4.09	3.15	0.39	7.05	0.93
SX1/007	1.50	3.74	4.45	8.19	0.63	16	1.57	1.18	5	11.38	2.36	3.94	3.15	0.87	4.49	4.09	3.15	0.39	7.05	0.93
SX2/013	1.50	4.13	5.79	9.92	0.63	22	1.97	1.26	6	12.76	2.32	4.37	3.94	0.47	4.88	4.88	3.94	0.47	8.62	1.28
SX2/018	2.00	4.13	5.79	9.92	0.63	22	1.97	1.26	6	13.39	2.60	4.37	3.94	0.47	4.88	4.88	3.94	0.47	8.62	1.28
SX3/027	2.00	4.92	6.89	11.81	0.87	28	2.36	1.57	8	16.97	2.83	5.59	6.10	0.59	7.28	6.10	4.92	0.55	9.96	1.48
SX3/035	2.50	4.92	6.89	11.81	0.87	28	2.36	1.57	8	17.60	3.03	5.59	6.10	0.59	7.28	6.10	4.92	0.55	9.96	1.48
SX4/046	2.00	5.91	8.39	14.29	0.98	38	3.15	2.48	10	20.24	2.95	6.85	7.87	0.67	9.21	7.24	5.91	0.55	12.09	1.95
SX4/063	2.50	5.91	8.39	14.29	0.98	38	3.15	2.48	10	20.98	3.19	6.85	7.87	0.67	9.21	7.24	5.91	0.55	12.09	1.95
SX5/082	2.50	6.89	10.12	17.01	1.18	45	4.33	2.76	14	23.58	2.40	10.39	7.87	0.79	9.45	8.66	7.09	0.55	13.58	2.36
SX5/116	3.00	6.86	10.12	17.01	1.18	45	4.33	2.76	14	24.65	3.19	10.39	7.87	0.79	9.45	8.66	7.09	0.55	13.58	2.36
SX6/140	3.00	7.48	11.61	19.09	1.18	48	4.33	2.76	14	27.05	3.03	10.51	10.24	0.79	11.81	9.84	8.27	0.55	15.75	2.76
SX6/190	4.00	7.48	11.61	19.09	1.18	48	4.33	2.76	14	28.15	3.50	10.51	10.24	0.79	11.81	9.84	8.27	0.55	15.75	2.76
SX7/250	4.00	8.07	14.37	22.44	1.18	60	4.33	3.54	18	30.04	3.70	11.34	11.02	0.98	12.99	11.42	9.45	0.71	18.70	3.21
SX7/380	6.00	8.07	14.37	22.44	1.18	60	4.33	3.54	18	32.17	4.76	11.34	11.02	0.98	12.99	11.42	9.45	0.71	18.70	3.21

Horizontally ported



All dimensions in inches, except where noted

PUMP	A	B	C	D	E	F (mm)	G	HB	HT	J	K (mm)	L	M	N	P	Q	R	S	T	U
SX1/005	1.00	3.74	3.54	7.40	0.39	16	1.57	2.62	4.47	1.18	5	10.87	1.46	4.61	3.15	0.98	4.53	3.94	3.15	0.39
SX1/007	1.50	3.74	3.54	7.40	0.39	16	1.57	2.62	4.47	1.18	5	11.38	1.69	4.61	3.15	0.98	4.53	3.94	3.15	0.39
SX2/013	1.50	4.13	4.53	9.17	0.63	22	1.97	3.25	5.81	1.26	6	12.76	1.54	5.16	3.94	0.75	5.20	4.88	3.94	0.47
SX2/018	2.00	4.13	4.53	9.17	0.63	22	1.97	3.25	5.81	1.26	6	13.39	1.81	5.16	3.94	0.75	5.20	4.88	3.94	0.47
SX3/027	2.00	4.92	5.43	10.75	0.71	28	2.36	3.96	6.91	1.57	8	16.97	2.72	6.89	4.92	1.18	7.13	6.06	4.92	0.55
SX3/035	2.50	4.92	5.43	10.75	0.71	28	2.36	3.96	6.91	1.57	8	17.60	2.91	6.89	4.92	1.18	7.13	6.06	4.92	0.55
SX4/046	2.00	5.91	6.42	12.80	0.79	38	3.15	4.47	8.37	2.48	10	20.24	2.95	8.86	5.91	1.38	7.95	7.24	5.91	0.55
SX4/063	2.50	5.91	6.42	12.80	0.79	38	3.15	4.47	8.37	2.48	10	20.98	3.19	8.86	5.91	1.38	7.95	7.24	5.91	0.55

PD 66319 US1 2001-10

The information contained herein is correct at the time of issue, but may be subject to change without prior notice.

How to contact Alfa Laval
 Contact details for all countries
 are continually updated on our website.
 Please visit www.alfalaval.com to
 access the information direct.